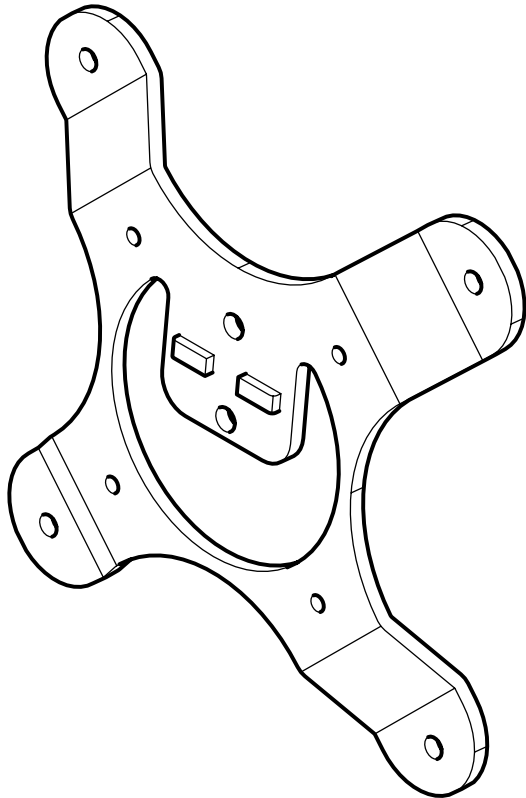


Installation Guide

SPK513

Kiosk tablet adapter (75/75 to 40/40 and MG)





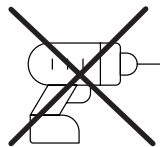
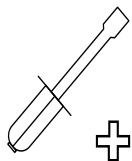
CAUTION

This product is intended for indoor use only.

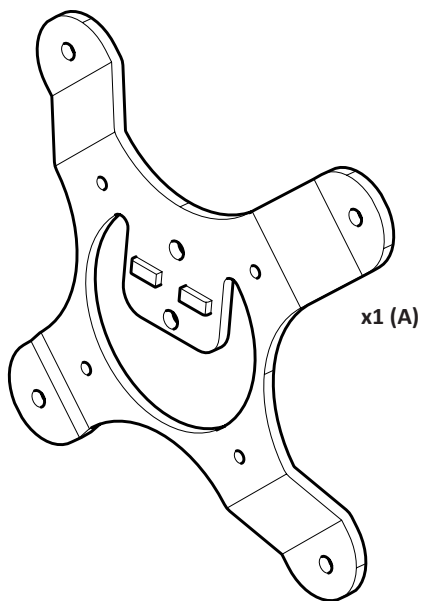
If these installation instructions are not followed correctly, it could lead to product failure and potential personal injury.

Ergonomic Solutions/SpacePole cannot be held responsible for any failure or injury, if the installation instructions are not followed correctly.

Tool list



Box content

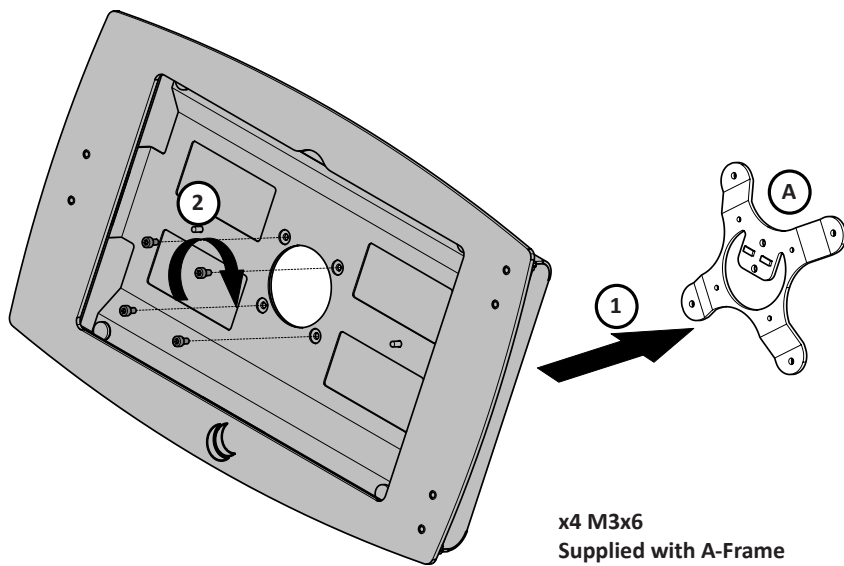


x1 (A)

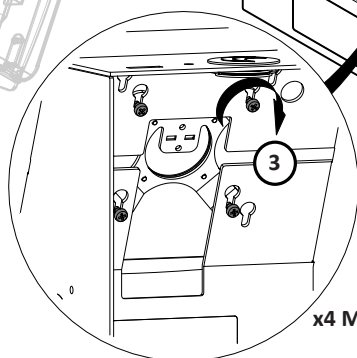
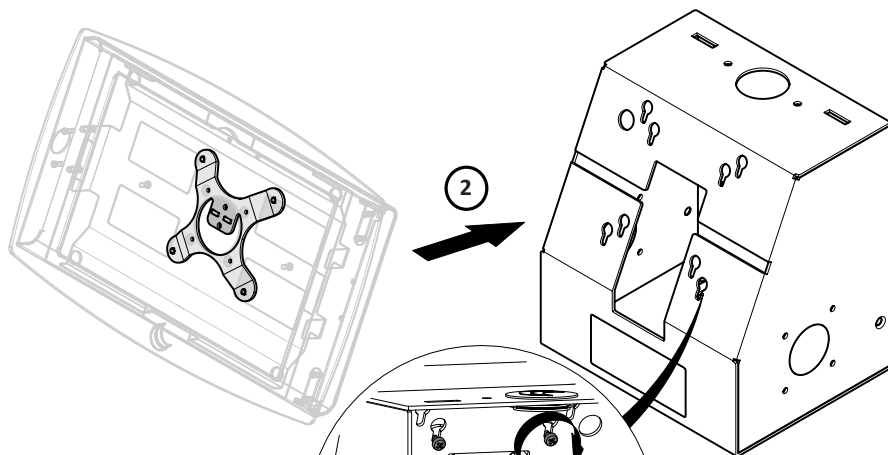
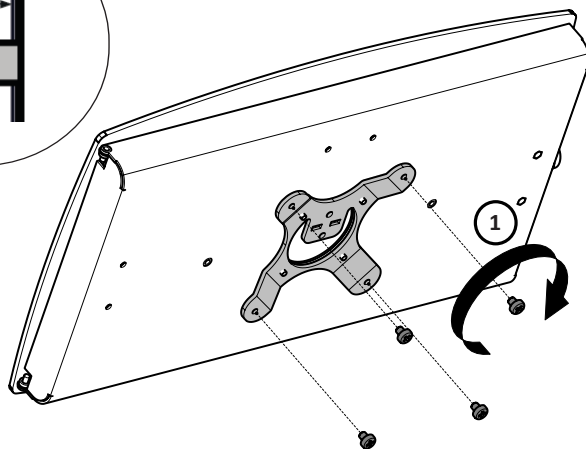
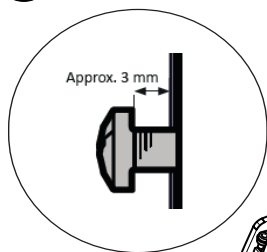


x4 M4x5

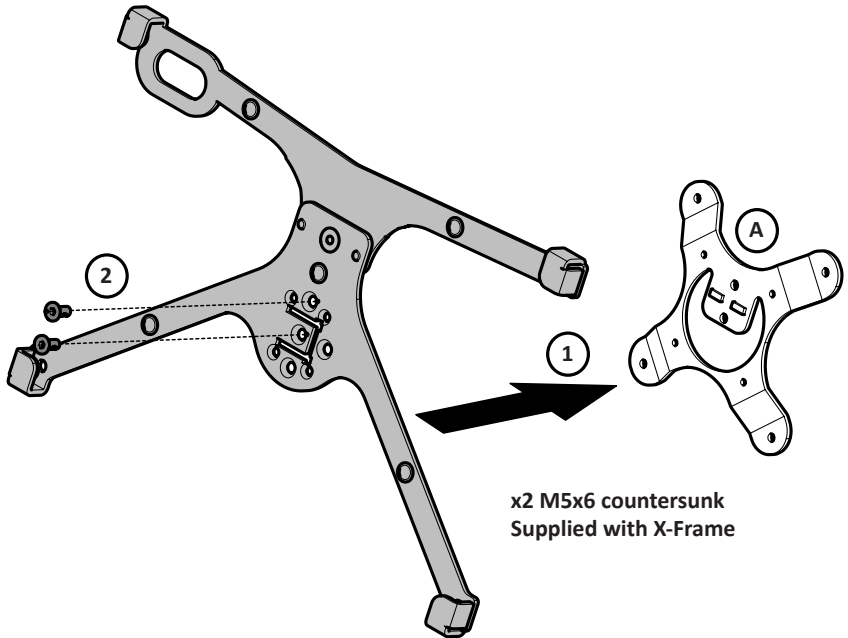
A1 Mount A-Frame on Adapter (A)



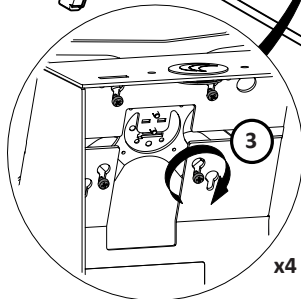
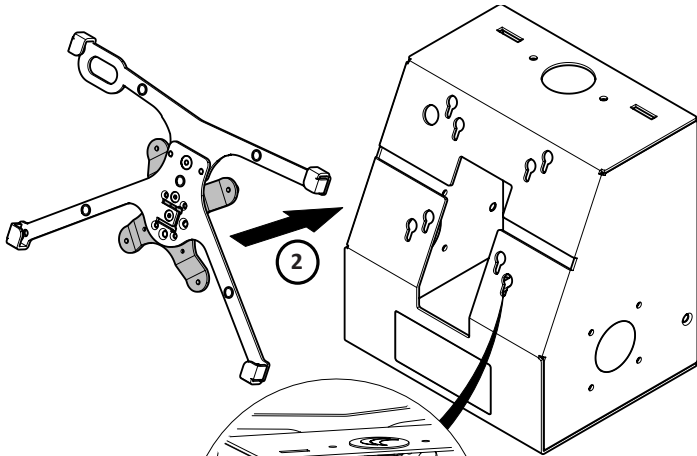
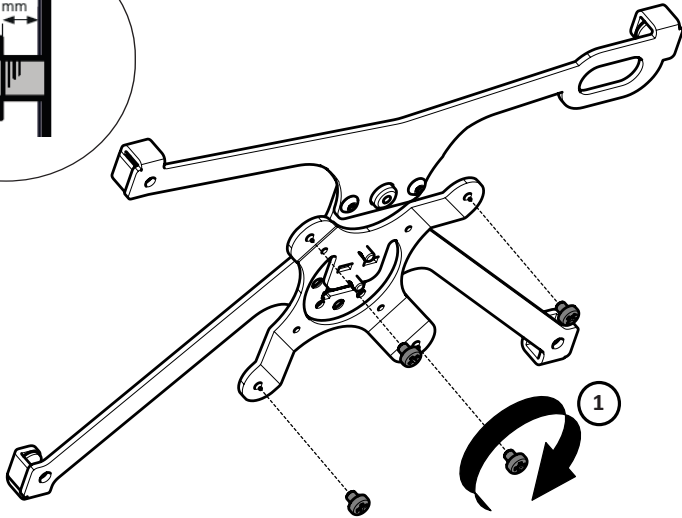
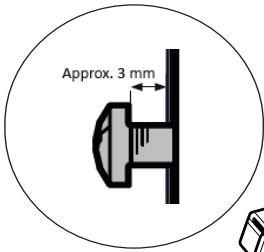
A2 Mount Adapter (A) on Top module



B1 Mount X-Frame on Adapter (A)



B2 – Mount Adapter (A) on Top module



x4 M4x5

Need help? Contact us



ergonomic.solutions/about/contact-us

spacepole.com/about/contact-us